

Trims for 9.5mm Products

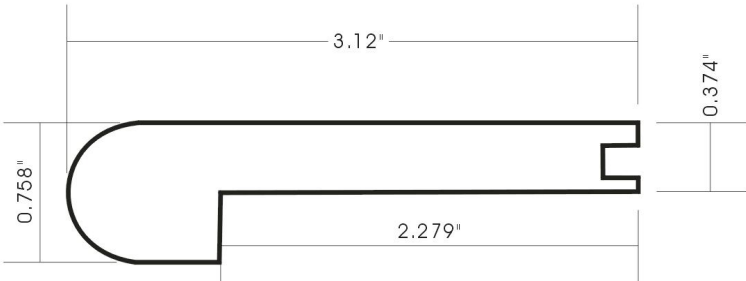
Length:83" or 48"

NO JOINT

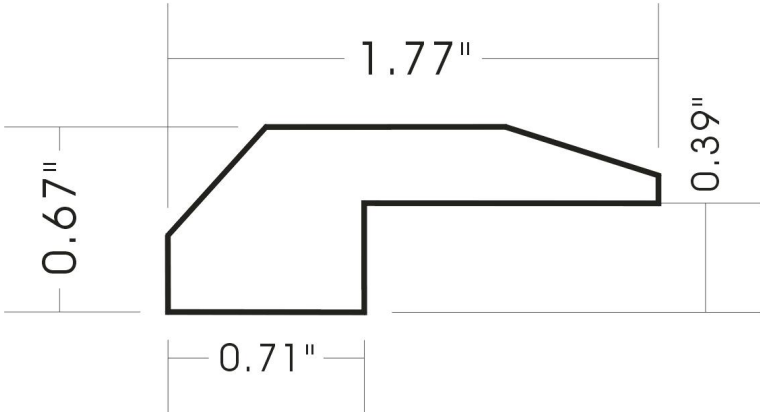
Reducer



Stair Nose



End Cap



T-Molding

